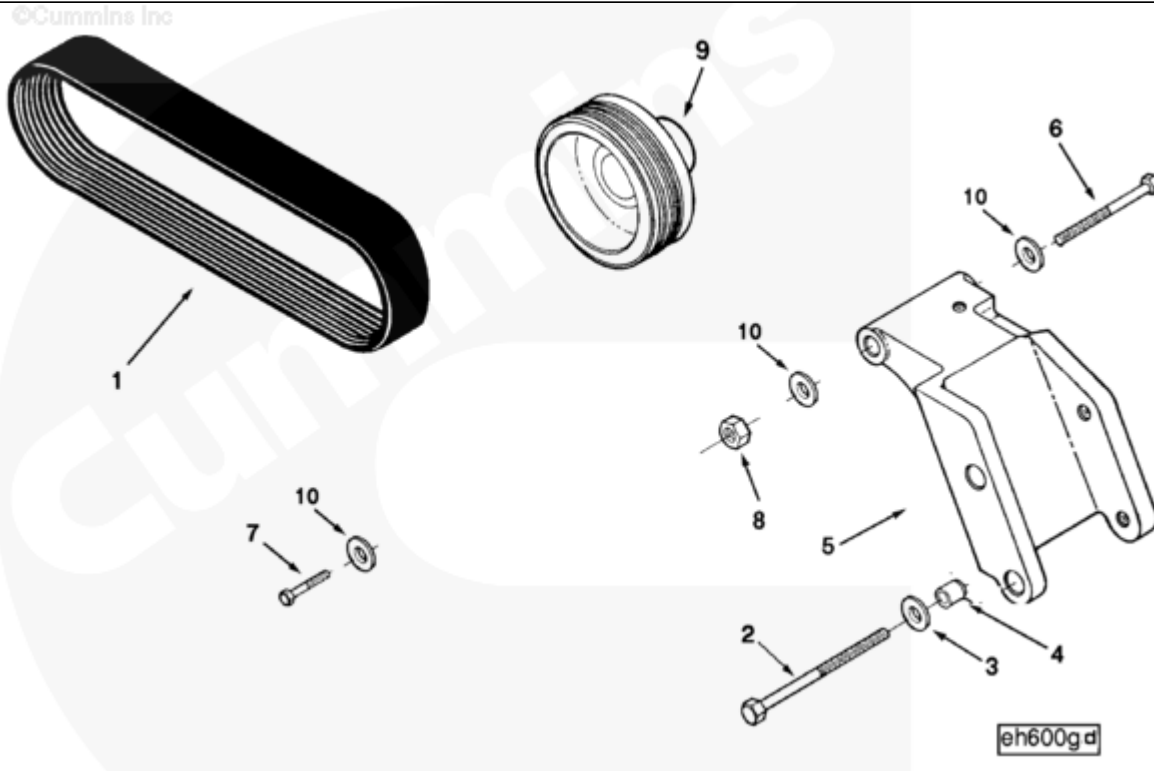




Parts Catalog - Option Detail

Electronic Parts Catalog - Option Detail				
Option	Group	Graphic	Film Card	Date
EE6017	13.02.3	eh600gd	K38	18-JUL-95
Engines	GTA38, K38, KTA38GC CM558, QSK38 CM2150 K106, QSK38 CM2150 MCRS, QSK38 CM850 MCRS			



[SMALL](#) | [MEDIUM](#) | [LARGE](#)

Cart	Ref No	Part Number	Part Description	Required	Remarks
View My Cart					
		EE6017	Alternator Mounting		Alternator mounting and drive...(More)
					for Delco Remy Leece Neville
					alternators. Includes pulley
					and 5rib 'K' section v-ribbed
					belt. Drive ratio is 2.62
					times engine speed.
<input type="checkbox"/>	1	3039376	V Ribbed Belt	1	
	2	S 167 B	Hexagon Head Cap Screw	2	7/16 - 14 X 5 1/2 Inch.

<input type="checkbox"/>					
<input type="checkbox"/>	3	203760	Plain Washer	2	7/16 in.
<input type="checkbox"/>	4	207509	Sleeve	2	
<input type="checkbox"/>	5	3627999	Alternator Support	1	
<input type="checkbox"/>	6	158829	Hexagon Head Cap Screw	1	1/2 - 20 x 6 1/2 in.
<input type="checkbox"/>	7	S 145	Hexagon Head Cap Screw	1	1/2 - 13 X 1 1/4 in.
<input type="checkbox"/>	8	70897	Lock Nut	1	1/2 - 20 UNF
<input type="checkbox"/>	9	3179935	Alternator Pulley	1	
<input type="checkbox"/>	10	3067344	Plain Washer	3	1/2 Inch.

© 2019 Cummins Inc., Box 3005, Columbus, IN 47202-3005 U.S.A.
Terms of Use and Disclaimers | Recommended System Requirements
Need Assistance? Please click on the Contact Us button in the top right corner of any page.